

TCH Series Safety Flashlights

Increased Safety. Halogen, Incandescent

Zone 1 and 2 - 21 and 22
Gas (G) and Dust (D)

Applications

- To provide maintenance staff with task specific portable lighting in Zone 1 hazardous areas.
- Ideal for persons requiring task specific portable lighting in refineries, oil and gas process and chemical plants, FPSO, FLNG, ...

Features

- Type TCH1:
 - Luminescent switch facilitates locating flashlight in dark.
 - Can be used to transmit a Morse code.
 - Halogen version provides twice the lumen output of incandescent lamps.
 - Hook for hands free operation.
 - Uses R20 or LR20 batteries (not included).
 - Supplied with 1 lamp.
- Type TCH2:
 - Dual optics (one at the end and one on the side) permitting:
 - Focused beam for safe movement.
 - Wide angle side beam for task specific focused lighting.
 - Ergonomic design permits easy manipulation:
 - User can select one of the two beams with one hand.
 - Two beams can be switched on separately and not simultaneously.
 - Should one lamp fail, the second lamp will still provide illumination.
 - Flashlight is stable when placed upright on a horizontal surface.
 - Pocket clip allows for hands free work.
 - Luminescent ring allows easy locating of flashlight in dark.
 - Suspension hook for hands free use.
 - Uses 2 R20 or LR20 batteries (not included).
 - Supplied with one halogen lamp for main beam and one incandescent lamp for side beam.
 - Supplied with one special opening tool.

Standard Materials

- Type TCH1:
 - Housing: shockproof and antistatic polyamide
 - Internal reflector: polished
 - Lens: polycarbonate
 - Hardware: stainless steel
 - Switch: luminescent
- Type TCH2:
 - Housing: black polycarbonate
 - Internal reflector: polished
 - Lens: polycarbonate
 - Hardware: stainless steel
 - Ring: luminescent

Certifications and Compliances

◆ ATEX Certification

- **Certification Type: TCH1**
 - Gas: Zones 1-2
 - Conforming to ATEX 94/9/CE: II 2 G
 - Type of Protection: Ex eib IIC
 - Temperature Class: T4
 - Dust: Zone 21-22
 - Conforming to ATEX 94/9/CE: II 2 D
 - Type of Protection: Ex tD A21
 - Surface Temperature: +95 °C



TCH1



TCH2

- Ambient Temperature: $-20\text{ °C} \leq T_o \leq +40\text{ °C}$
- CE Declaration of Conformity: 50259
- ATEX Certificate: LCIE 03 ATEX 6064
- Index of Protection according EN/IEC 60529: IP66
- **Certification Type: TCH2**
 - Gas: Zones 1-2
 - Conforming to ATEX 94/9/CE: II 2 G
 - Type of Protection: Ex eib IIC
 - Temperature Class:
 - Incandescent PR6:T4 (+55°C)
 - Krypton PR102: T4 (+55°C)
 - Halogen HPR52: T4 (+40°C) - T3 (+55°C)
 - Halogen HPR01: T4 (+55°C)
 - Dust: Zone 21-22
 - Conforming to ATEX 94/9/CE: II2 D
 - Type of Protection: Ex tD A21
 - Surface Temperature: +130 °C
 - Ambient Temperature: $-20\text{ °C} \leq T_o \leq +55\text{ °C}$
 - CE Declaration of Conformity: 50238
 - ATEX Certificate: LCIE 02 ATEX 6229
 - Index of Protection according EN/IEC 60529: IP66/68 (25m)

◆ Others Certification

- **Certification Type: TCH1 / TCH2**
 - INMETRO Certificate: BVC11.0419 (TCH1) and BVC11.0420 (TCH2) ^①

^① Inmetro certification available on special request only. Contact your local sales for more information

TCH Series Safety Flashlights

Increased Safety. Halogen, Incandescent

Zone 1 and 2 - 21 and 22
Gas (G) and Dust (D)

Ordering Information:

Number of lamps (included)	Type of Lamps (not included)	Number of Battery Cells	Weight kgs	Volume dm ³	Catalog Number
1	Incandescent — 2.5 V – 0.3 A	2	0.4	3.4	TCH12C
1	Incandescent — 3.7 V – 0.3 A	3	0.4	3.4	TCH13C
1	Halogen — 2.8 V – 0.5 A	2	0.4	3.4	TCH12H
2	Incandescent — 2.5 V – 0.3 A	2	0.4	1.9	TCH22M
	Halogen — 2.8 V – 0.5 A				

Spare Lamps for Replacement (Lamp Holder P13, 5S)

Lamp Type	Rating	Catalog Number
Incandescent (PR6)	2.5 V – 0.3 A	TCHL25C
Incandescent (PR7)	3.7 V – 0.3 A	TCHL37C
Halogen (HPR01)	2.8 V – 0.5 A	TCHL28H

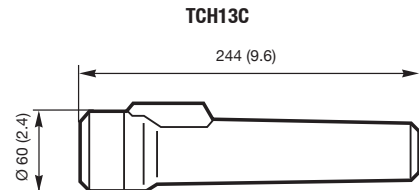
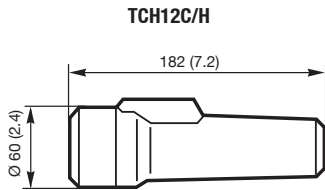
Shaded catalog numbers are normally stocked items. All other items are made to order.

TCH Series Safety Flashlights

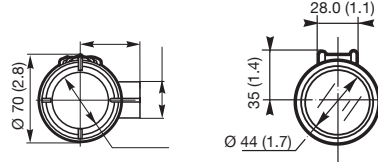
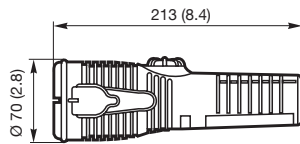
Increased Safety. Halogen, Incandescent

Zone 1 and 2 - 21 and 22
Gas (G) and Dust (D)

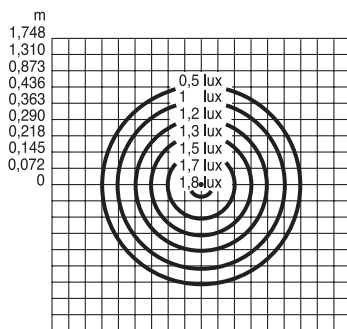
Dimensions in Millimeters (Inches)



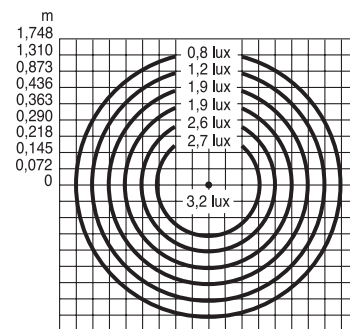
TCH22M



Photometric Data



Catalog Number TCH12C (at 25 meters) Incandescent



Catalog Number TCH13C (at 25 meters) Incandescent